

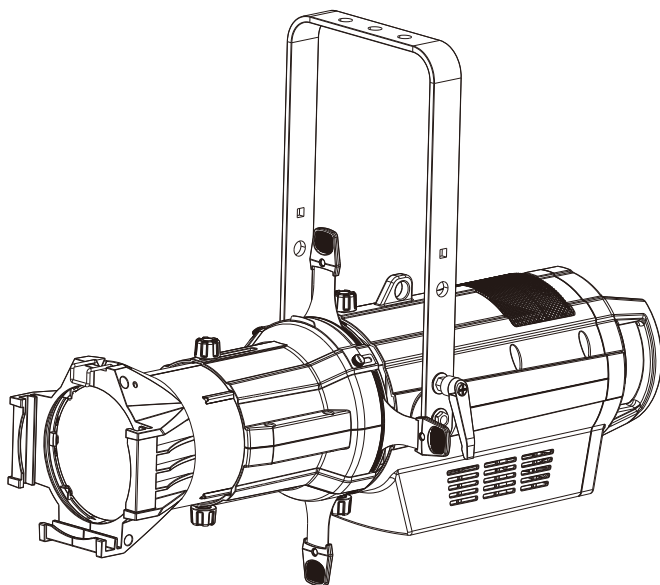
# SHOWPRO

# EK

# *eprofileFC*

LED PROFILE SPOT - FULL COLOUR

FIRMWARE VERSION 1.01



USER MANUAL




**WARNING! Before carrying out any operations with the unit, carefully read this instruction manual and keep it with care for future reference. It contains important information about the installation, usage and maintenance of the unit.**



## SAFETY

### General instruction

- The products referred to in this manual conform to the European Community Directives and are therefore marked with **CE**.
- The unit is supplied with hazardous network voltage (230V~). Leave servicing to skilled personnel only. Never make any modifications on the unit not described in this instruction manual, otherwise you will risk an electric shock.
- Connection must be made to a power supply system fitted with efficient earthing (Class I appliance according to standard EN 60598-1). It is, moreover, recommended to protect the supply lines of the units from indirect contact and/or shorting to earth by using appropriately sized residual current devices.
- The connection to the main network of electric distribution must be carried out by a qualified electrical installer. Check that the main frequency and voltage correspond to those for which the unit is designed as given on the electrical data label.
- This unit is not for home use, only professional applications.
- Never use the fixture under the following conditions:
  - in places subject to vibrations or bumps;
  - in places with a temperature of over 40 °C.
- Make certain that no inflammable liquids, water or metal objects enter the fixture.
- Do not dismantle or modify the fixture.
- All work must always be carried out by qualified technical personnel. Contact the nearest sales point for an inspection or contact the manufacturer directly.
- If the unit is to be put out of operation definitively, take it to a local recycling plant for a disposal which is not harmful to the environment. 

### Warnings and installation precautions

- If this device will be operated in any way different to the one described in this manual, it may suffer damage and the guarantee becomes void. Furthermore, any other operation may lead to dangers like short circuit, burns, electric shock, etc.
- Before starting any maintenance work or cleaning the projector, cut off power from the main supply.
- Always additionally secure the projector with the safety rope. When carrying out any work, always comply scrupulously with all the regulations (particularly regarding safety) currently in force in the country in which the fixture's being used.
- Install the fixture in a well ventilated place.
- Keep any inflammable material at a safe distance from the fixture.
- Shields, lenses or ultraviolet screens shall be changed if they have become damaged to such an extent that their effectiveness is impaired.
- The lamp (LED) shall be changed if it has become damaged or thermally deformed.
- Never look directly at the light beam. Please note that fast changes in lighting, e. g. flashing light, may trigger epileptic seizures in photosensitive persons or persons with epilepsy.
- Do not touch the product's housing when operating because it may be very hot.

**TABLE OF CONTENTS**

**Safety**

General instructions  
Warnings and installation precautions  
General information

**Introduction**

Features  
Specifications

**Maintenance**

Cleaning the unit  
Fuse replacement  
Trouble shooting

**Overview**

**Dimensions**

**Operation**

Display menu functions  
DMX functions  
DMX pin diagram

**Menu Function Chart**

**DMX Function Chart**

**Photometrics**

---

**Packing content**

- EPROFILE FC
- Mounting bracket
  - Power cord
  - Warranty card
  - User manual
-

## INTRODUCTION

The EPROFILE FC is a full-color LED profile.

## FEATURES

- Crisp gobo image projection, even at close range
- Extremely flat field projection
- Incorporating the latest advances in LED color-mixing
- 250W RGBA+L (Lime) LED for enhanced color tuning
- Flawless dimming with consistent color temperature throughout the dimming curve
- Flicker-free output with selectable PWM frequencies for worry-free video
- Quiet operation suitable for studio use
- Power linking (PowerCon In/Out)
- Rugged die-cast body and low-maintenance design
- Master/Slave mode, Auto Shows,
- Virtual color wheel (color presets)
- Selectable color temperatures (2800K ~ 6500K) and adjustable white balance
- Manual color selection, mixing and control via onboard menu
- Selection of four dimming curves
- DMX control
- Available optics: 19° - 26° - 36° or 50° (not included)

## SPECIFICATIONS

|                        |   |
|------------------------|---|
| Light Source:          | 250W COB RGBAL LED                      |
| Beam Angle:            | 19° / 26° / 36° / 50°                   |
| Output:                | 2154 / 1454 / 839 / 369 LUX @ 5 meters  |
| Focus:                 | Manual                                  |
| Strobe:                | 0-30 Hz                                 |
| Dimming:               | 4 dimming curve modes                   |
| Control:               | DMX                                     |
| DMX Channels:          | 4/6 / 8 / 11 / 13 / 14 / 16             |
| Built-in Programs:     | Yes                                     |
| Display:               | OLED function menu with 4 touch buttons |
| Mains:                 | 100V-240V, 50/60 Hz                     |
| Consumption:           | 233W                                    |
| Power connections:     | Neutrik PowerCon In/Out                 |
| Data connections:      | 5-pin XLR In/Out for DMX                |
| Housing:               | Diecast aluminium                       |
| Finish:                | Matte black                             |
| IP rating:             | IP20                                    |
| Cooling:               | Active (variable speed fan)             |
| Operating temperature: | 0°C to 40°C                             |
| Max. Housing:          | 60°C                                    |
| Dimensions:            | 625 x 285 x 487 mm                      |
| Weight:                | 9.26 KG                                 |

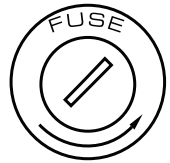
## MAINTENANCE

### MAINTENANCE AND CLEANING THE UNIT

- Make sure the area below the installation place is free from unwanted persons during setup.
- Switch off the unit, unplug the main cable and wait until the unit has cooled down.
- All screws used for installing the device and any of its parts should be tightly fastened and should not be corroded.
- Housings, fixations and installation spots (ceiling, trusses, suspensions) should be totally free from any deformation.
- The main cables must be in impeccable condition and should be replaced immediately even when a small problem is detected.
- It is recommended to clean the front at regular intervals, from impurities caused by dust, smoke, or other particles to ensure that the light is radiated at maximum brightness. For cleaning, disconnect the main plug from the socket. Use a soft, clean cloth moistened with a mild detergent. Then carefully wipe the part dry. For cleaning other housing parts use only a soft, clean cloth. Never use a liquid, it might penetrate the unit and cause damage to it.

### FUSE REPLACEMENT

1. Disconnect this product from the power outlet.
2. Using a screwdriver, unscrew the fuse holder cap from the housing.
3. Remove the blown fuse and replace with a good fuse of the same type and rating (250V/T3.15A).
4. Screw the fuse holder cap back in place and reconnect power.

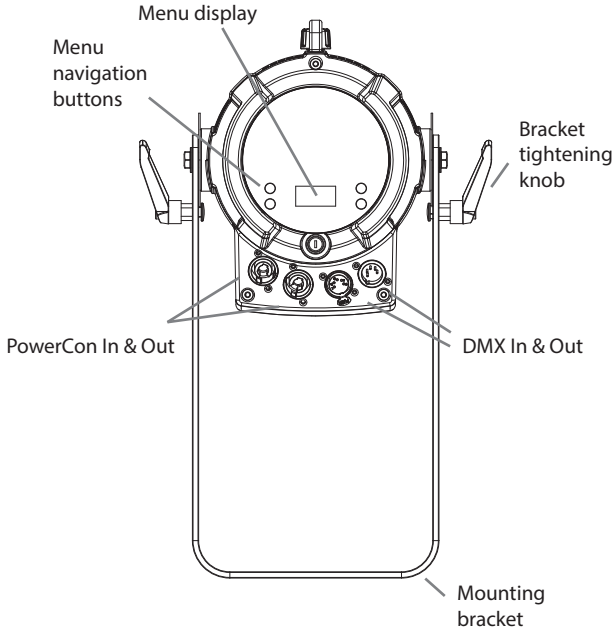
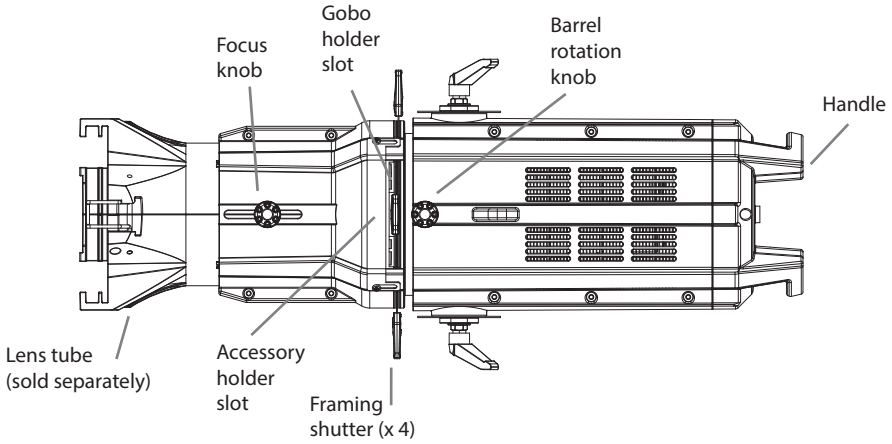


## TROUBLESHOOTING

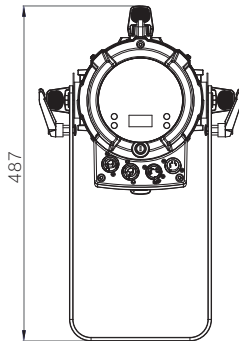
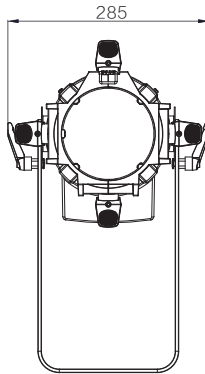
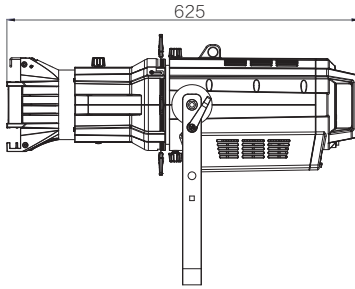
| Problems                    | Possible causes  | Checks and remedies   |
|-----------------------------|--|---|
| Fixture does not light up   | <ul style="list-style-type: none"> <li>• No mains supply</li> <li>• Dimmer fader set to 0</li> <li>• Faulty LED</li> <li>• Faulty LED board</li> </ul> | <ul style="list-style-type: none"> <li>• Check the power supply voltage</li> <li>• Increase the value of the dimmer channels</li> <li>• Replace the LED board</li> <li>• Replace the LED board</li> </ul> |
| General low light intensity | <ul style="list-style-type: none"> <li>• Dirty lens assembly</li> <li>• Misaligned lens assembly</li> </ul>  | <ul style="list-style-type: none"> <li>• Clean the fixture regularly</li> <li>• Install lens assembly properly</li> </ul>   |
| Fixture does not power up   | <ul style="list-style-type: none"> <li>• No power</li> <li>• Loose or damaged power cord</li> <li>• Faulty internal power supply</li> </ul>            | <ul style="list-style-type: none"> <li>• Check for power on power outlet</li> <li>• Check power cord</li> <li>• Replace internal power supply</li> </ul>  |

Contact an authorized service center in case of technical problems or not reported in the table can not be resolved by the procedure given in the table.

## OVERVIEW



## DIMENSIONS



## OPERATION

### DISPLAY MENU FUNCTIONS

- DMX Address: Assign DMX starting address to the EPROFILE FC
- DMX Mode: Select either 4, 6, 8, 11, 13, 14 or 16 channel mode
- Virtual Color Wheel: Select from 32 different preset colours
- Manual Color Mixer: Manually set RGBAL values to create custom colours
- Auto Show: Select one of five preprogrammed shows
- Master/Slave: Set the EPROFILE FC to function either as a master or slave when linking multiple units
- Dimmer Mode: Select the preferred dimming curve (1 = fast, 2 = medium, 3 = slow)
- Selectable CCT
- LED Frequency: Select the preferred frequency (for achieving flicker-free video playback)
- Fan Mode: Select either variable speed (Auto) or always on (High)
- Back Light: Set display to darken after 10, 20 or 30 seconds, or set to always on (On)
- Information: View operating hours, software version and device ID

### DMX FUNCTIONS

- **4-Channel Mode:** Control in either CCT or virtual swatch book
- **6-Channel Mode:** RGBAL control
- **8-Channel Mode:** Adds master dimming and strobe functions
- **11-Channel Mode:** Adds 16-bit (fine) master dimming control and CCT + virtual swatch book
- **13-Channel Mode:** Adds auto programs, dimmer curve selection and CCT + virtual swatch book
- **14-Channel Mode:** 16-bit (fine) control for dimming and RGBAL, strobe and frequency selection
- **16-Channel Mode:** 16-bit (fine) control for dimming and RGBAL, CCT + virtual swatch book, strobe function

### DMX PIN DIAGRAM

**DMX - INPUT**  
XLR plug



Pin1 : GND - Shield  
Pin2 : - Negative  
Pin3 : + Positive  
Pin4 : N/C  
Pin5 : N/C

**DMX - OUTPUT**  
XLR socket

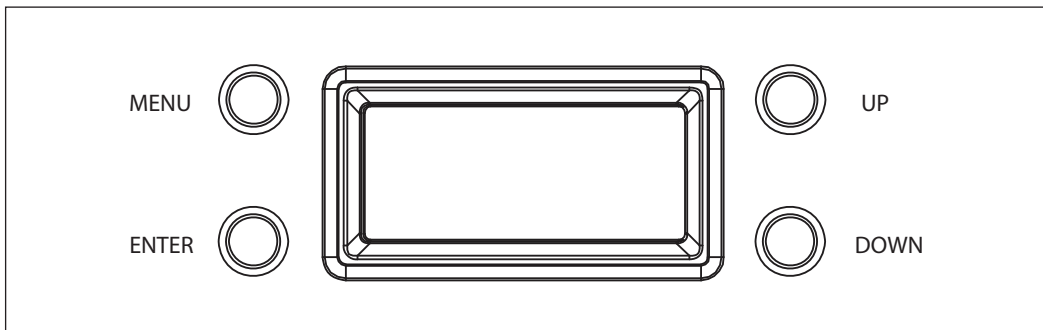


## MENU FUNCTIONS

| Main Menu          | Menu level 2       | Menu level 3 |         | Menu level 4 |       | Defaults             |          |
|--------------------|--------------------|--------------|---------|--------------|-------|----------------------|----------|
| <b>Auto Show</b>   | Auto 1             | <1-100>      |         |              |       | Auto 5<br>Speed: 100 |          |
|                    | Auto 2             | <1-100>      |         |              |       |                      |          |
|                    | Auto 3             | <1-100>      |         |              |       |                      |          |
|                    | Auto 4             | <1-100>      |         |              |       |                      |          |
|                    | Auto 5             | <1-100>      |         |              |       |                      |          |
| <b>Static</b>      | Fixed Color        | R            | GA      | RAL          | RGBAL | RGBAL                |          |
|                    |                    | G            | GL      | GBA          |       |                      |          |
|                    |                    | B            | BA      | GBL          |       |                      |          |
|                    |                    | A            | BL      | BAL          |       |                      |          |
|                    |                    | L            | AL      | GAL          |       |                      |          |
|                    |                    | RG           | RGB     | RGBA         |       |                      |          |
|                    |                    | RB           | RGA     | RGBL         |       |                      |          |
|                    |                    | RA           | RGL     | RGAL         |       |                      |          |
|                    |                    | RL           | RBA     | RBAL         |       |                      |          |
|                    | GB                 | RBL          | GBAL    |              |       |                      |          |
|                    | Manual Color Mixer | Red          | <0-255> |              |       |                      | RGBL=255 |
|                    |                    | Green        | <0-255> |              |       |                      |          |
|                    |                    | Blue         | <0-255> |              |       |                      |          |
|                    |                    | Amber        | <0-255> |              |       |                      |          |
| Lime               |                    | <0-255>      |         |              |       |                      |          |
| <b>Dimmer Mode</b> | Off                |              |         |              |       | OFF                  |          |
|                    | Dimmer 1           |              |         |              |       |                      |          |
|                    | Dimmer 2           |              |         |              |       |                      |          |
|                    | Dimmer 3           |              |         |              |       |                      |          |
| <b>Back Light</b>  | On                 |              |         |              |       | ON                   |          |
|                    | 10S                |              |         |              |       |                      |          |
|                    | 20S                |              |         |              |       |                      |          |
|                    | 30S                |              |         |              |       |                      |          |
| <b>Information</b> | Fixture Hours      | <9999H>      |         |              |       |                      |          |
|                    | Version            | <V1.0>       |         |              |       |                      |          |
|                    | UID: ***           |              |         |              |       |                      |          |

## MENU FUNCTIONS (cont'd)

| Main Menu            | Menu level 2 | Menu level 3 | Menu level 4 | Defaults |
|----------------------|--------------|--------------|--------------|----------|
| <b>DMX Address</b>   | <001>        |              |              | 001      |
| <b>DMX Channel</b>   | 4Ch          |              |              |          |
|                      | 6Ch          |              |              |          |
|                      | 8Ch          |              |              |          |
|                      | 11Ch         |              |              |          |
|                      | 13Ch         |              |              |          |
|                      | 14Ch         |              |              |          |
|                      | 16Ch         |              |              |          |
| <b>Master/Slave</b>  | Master       |              |              | Slave    |
|                      | Slave        |              |              |          |
| <b>White Balance</b> | Manual       | Red          | <125-255>    | RGB=255  |
|                      |              | Green        | <125-255>    |          |
|                      |              | Blue         | <125-255>    |          |
| <b>LED Frequency</b> | 600 Hz       |              |              | 1200Hz   |
|                      | 1200 Hz      |              |              |          |
|                      | 2000 Hz      |              |              |          |
|                      | 4000 Hz      |              |              |          |
|                      | 25 KHz       |              |              |          |
| <b>Fan Mode</b>      | Auto         |              |              | Auto     |
|                      | High         |              |              |          |



| 4CH     | Function            | Value   | Percent/Setting        |         |  |
|---------|---------------------|---------|------------------------|---------|--|
| 1       | Dimmer              | 000-255 | 0~100%                 |         |  |
|         |                     | 000-005 | No Function            |         |  |
|         |                     | 006-013 | R4590-Cal90 Yellow     |         |  |
|         |                     | 014-021 | R11-Light Straw        |         |  |
|         |                     | 022-028 | R312-Canary            |         |  |
|         |                     | 029-035 | R03-Dark Bastard Amber |         |  |
|         |                     | 036-043 | R18-Flame              |         |  |
|         |                     | 044-051 | R20-Medium Amber       |         |  |
|         |                     | 052-059 | R21-Golden Amber       |         |  |
|         |                     | 060-067 | R26-Light Red          |         |  |
|         |                     | 068-075 | R27-Medium Red         |         |  |
|         |                     | 076-083 | R33-NoColour Pink      |         |  |
|         |                     | 084-091 | R337-True Pink         |         |  |
|         |                     | 092-099 | R38-Light Rose         |         |  |
|         |                     | 100-107 | R41-Salmon             |         |  |
|         |                     | 108-115 | R42-Deep Salmon        |         |  |
|         |                     | 116-121 | R44-Middle Rose        |         |  |
|         |                     | 122-130 | R349-Fisher Fuchsia    |         |  |
|         |                     | 131-138 | R54-Special Lavender   |         |  |
|         |                     | 139-146 | R64-Light Steel Blue   |         |  |
|         |                     | 147-154 | R364-Blue Bell         |         |  |
|         |                     | 155-162 | R65-Daylight Blue      |         |  |
|         |                     | 163-170 | R80-Primary Blue       |         |  |
|         |                     | 171-178 | R81-Urban Blue         |         |  |
|         |                     | 179-186 | R82-Surprise Blue      |         |  |
| 187-194 | R382-Congo Blue     |         |                        |         |  |
| 195-202 | R83-Medium Blue     |         |                        |         |  |
| 203-210 | R383-Sapphire Blue  |         |                        |         |  |
| 211-218 | R90-Dk Yellow Green |         |                        |         |  |
| 219-226 | R91-Primary Green   |         |                        |         |  |
| 227-234 | R92-Turquoise       |         |                        |         |  |
| 235-242 | R93-Blue Green      |         |                        |         |  |
| 243-250 | R393-Emerald Green  |         |                        |         |  |
| 251-255 | No Function         |         |                        |         |  |
| 2       | Colour Macro        | 000-005 | No Function            |         |  |
|         |                     | 006-025 | 2800K                  |         |  |
|         |                     | 026-050 | 3200K                  |         |  |
|         |                     | 051-075 | 3500K                  |         |  |
|         |                     | 076-100 | 4000K                  |         |  |
|         |                     | 101-125 | 4500K                  |         |  |
|         |                     | 126-150 | 5000K                  |         |  |
|         |                     | 151-175 | 5600K                  |         |  |
|         |                     | 176-200 | 6000K                  |         |  |
|         |                     | 201-225 | 6500K                  |         |  |
|         |                     | 226-255 | No Function            |         |  |
|         |                     | 3       | Colour Temperature     | 000-010 | Preset LED Frequency from display menu |
| 011-050 | 600Hz               |         |                        |         |  |
| 051-090 | 1200Hz              |         |                        |         |  |
| 091-130 | 2000Hz              |         |                        |         |  |
| 131-170 | 4000Hz              |         |                        |         |  |
| 171-210 | 6000Hz              |         |                        |         |  |
| 211-255 | 25KHz               |         |                        |         |  |
| 4       | LED Frequency       |         |                        | 000-010 | Preset LED Frequency from display menu |
|         |                     |         |                        | 011-050 | 600Hz                                  |
|         |                     |         |                        | 051-090 | 1200Hz                                 |
|         |                     |         |                        | 091-130 | 2000Hz                                 |
|         |                     |         |                        | 131-170 | 4000Hz                                 |
|         |                     | 171-210 | 6000Hz                 |         |  |
|         |                     | 211-255 | 25KHz                  |         |  |

| 6CH | Function      | Value   | Percent/Setting                        |
|-----|---------------|---------|--|
| 1   | Red           | 000-255 | 0~100%                                 |
| 2   | Green         | 000-255 | 0~100%                                 |
| 3   | Blue          | 000-255 | 0~100%                                 |
| 4   | Amber         | 000-255 | 0~100%                                 |
| 5   | Lime          | 000-255 | 0~100%                                 |
| 6   | LED Frequency | 000-010 | Preset LED Frequency from display menu |
|     |               | 011-050 | 600Hz                                  |
|     |               | 051-090 | 1200Hz                                 |
|     |               | 091-130 | 2000Hz                                 |
|     |               | 131-170 | 4000Hz                                 |
|     |               | 171-210 | 6000Hz                                 |
|     |               | 211-255 | 25KHz                                  |

| 8CH | Function      | Value   | Percent/Setting                        |
|-----|---------------|---------|--|
| 1   | Dimmer        | 000-255 | 0~100%                                 |
| 2   | Red           | 000-255 | 0~100%                                 |
| 3   | Green         | 000-255 | 0~100%                                 |
| 4   | Blue          | 000-255 | 0~100%                                 |
| 5   | Amber         | 000-255 | 0~100%                                 |
| 6   | Lime          | 000-255 | 0~100%                                 |
| 7   | Strobe        | 000-010 | NO Function                            |
|     |               | 011-255 | Strobe Slow to Fast                    |
| 8   | LED Frequency | 000-010 | Preset LED Frequency from display menu |
|     |               | 011-050 | 600Hz                                  |
|     |               | 051-090 | 1200Hz                                 |
|     |               | 091-130 | 2000Hz                                 |
|     |               | 131-170 | 4000Hz                                 |
|     |               | 171-210 | 6000Hz                                 |
|     |               | 211-255 | 25KHz                                  |

| 11CH    | Function            | Value   | Percent/Setting        |
|---------|---------------------|---------|------------------------|
| 1       | Dimmer              | 000-255 | 0~100%                 |
| 2       | Dimmer Fine         | 000-255 | 0~100%                 |
| 3       | Red                 | 000-255 | 0~100%                 |
| 4       | Green               | 000-255 | 0~100%                 |
| 5       | Blue                | 000-255 | 0~100%                 |
| 6       | Amber               | 000-255 | 0~100%                 |
| 7       | Lime                | 000-255 | 0~100%                 |
| 8       | Strobe              | 000-010 | No function            |
|         |                     | 011-255 | Strobe slow to fast    |
| 9       | Colour Macro        | 000-005 | No Function            |
|         |                     | 006-013 | R4590-Cal90 Yellow     |
|         |                     | 014-021 | R11-Light Straw        |
|         |                     | 022-028 | R312-Canary            |
|         |                     | 029-035 | R03-Dark Bastard Amber |
|         |                     | 036-043 | R18-Flame              |
|         |                     | 044-051 | R20-Medium Amber       |
|         |                     | 052-059 | R21-Golden Amber       |
|         |                     | 060-067 | R26-Light Red          |
|         |                     | 068-075 | R27-Medium Red         |
|         |                     | 076-083 | R33-NoColour Pink      |
|         |                     | 084-091 | R337-True Pink         |
|         |                     | 092-099 | R38-Light Rose         |
|         |                     | 100-107 | R41-Salmon             |
|         |                     | 108-115 | R42-Deep Salmon        |
|         |                     | 116-121 | R44-Middle Rose        |
|         |                     | 122-130 | R349-Fisher Fuchsia    |
|         |                     | 131-138 | R54-Special Lavender   |
|         |                     | 139-146 | R64-Light Steel Blue   |
|         |                     | 147-154 | R364-Blue Bell         |
|         |                     | 155-162 | R65-Daylight Blue      |
|         |                     | 163-170 | R80-Primary Blue       |
|         |                     | 171-178 | R81-Urban Blue         |
|         |                     | 179-186 | R82-Surprise Blue      |
|         |                     | 187-194 | R382-Congo Blue        |
|         |                     | 195-202 | R83-Medium Blue        |
|         |                     | 203-210 | R383-Sapphire Blue     |
| 211-218 | R90-Dk Yellow Green |         |                        |
| 219-226 | R91-Primary Green   |         |                        |
| 227-234 | R92-Turquoise       |         |                        |
| 235-242 | R93-Blue Green      |         |                        |
| 243-250 | R393-Emerald Green  |         |                        |
| 251-255 | No Function         |         |                        |
| 10      | Colour Temperature  | 000-005 | No Function            |
|         |                     | 006-025 | 2800K                  |
|         |                     | 026-050 | 3200K                  |
|         |                     | 051-075 | 3500K                  |
|         |                     | 076-100 | 4000K                  |
|         |                     | 101-125 | 4500K                  |
|         |                     | 126-150 | 5000K                  |
| 151-175 | 5600K               |         |                        |

|    |                    |         |  |
|----|--------------------|---------|--|
| 10 | Colour Temperature | 176-200 | 6000K                                  |
|    |                    | 201-225 | 6500K                                  |
|    |                    | 226-255 | No Function                            |
| 11 | LED Frequency      | 000-010 | Preset LED Frequency from display menu |
|    |                    | 011-050 | 600Hz                                  |
|    |                    | 051-090 | 1200Hz                                 |
|    |                    | 091-130 | 2000Hz                                 |
|    |                    | 131-170 | 4000Hz                                 |
|    |                    | 171-210 | 6000Hz                                 |
|    |                    | 211-255 | 25KHz                                  |

| 13CH    | Function           | Value   | Percent/Setting        |
|---------|--------------------|---------|------------------------|
| 1       | Dimmer             | 000-255 | 0~100%                 |
| 2       | Red                | 000-255 | 0~100%                 |
| 3       | Green              | 000-255 | 0~100%                 |
| 4       | Blue               | 000-255 | 0~100%                 |
| 5       | Amber              | 000-255 | 0~100%                 |
| 6       | Lime               | 000-255 | 0~100%                 |
| 7       | Strobe             | 000-010 | No function            |
|         |                    | 011-255 | Strobe slow to fast    |
| 8       | Colour Macro       | 000-005 | No Function            |
|         |                    | 006-013 | R4590-Cal90 Yellow     |
|         |                    | 014-021 | R11-Light Straw        |
|         |                    | 022-028 | R312-Canary            |
|         |                    | 029-035 | R03-Dark Bastard Amber |
|         |                    | 036-043 | R18-Flame              |
|         |                    | 044-051 | R20-Medium Amber       |
|         |                    | 052-059 | R21-Golden Amber       |
|         |                    | 060-067 | R26-Light Red          |
|         |                    | 068-075 | R27-Medium Red         |
|         |                    | 076-083 | R33-NoColour Pink      |
|         |                    | 084-091 | R337-True Pink         |
|         |                    | 092-099 | R38-Light Rose         |
|         |                    | 100-107 | R41-Salmon             |
|         |                    | 108-115 | R42-Deep Salmon        |
|         |                    | 116-121 | R44-Middle Rose        |
|         |                    | 122-130 | R349-Fisher Fuchsia    |
|         |                    | 131-138 | R54-Special Lavender   |
|         |                    | 139-146 | R64-Light Steel Blue   |
|         |                    | 147-154 | R364-Blue Bell         |
|         |                    | 155-162 | R65-Daylight Blue      |
|         |                    | 163-170 | R80-Primary Blue       |
|         |                    | 171-178 | R81-Urban Blue         |
|         |                    | 179-186 | R82-Surprise Blue      |
|         |                    | 187-194 | R382-Congo Blue        |
|         |                    | 195-202 | R83-Medium Blue        |
|         |                    | 203-210 | R383-Sapphire Blue     |
|         |                    | 211-218 | R90-Dk Yellow Green    |
|         |                    | 219-226 | R91-Primary Green      |
|         |                    | 227-234 | R92-Turquoise          |
| 235-242 | R93-Blue Green     |         |                        |
| 243-250 | R393-Emerald Green |         |                        |
| 251-255 | No Function        |         |                        |
| 9       | Colour Temperature | 000-005 | No Function            |
|         |                    | 006-025 | 2800K                  |
|         |                    | 026-050 | 3200K                  |
|         |                    | 051-075 | 3500K                  |
|         |                    | 076-100 | 4000K                  |
|         |                    | 101-125 | 4500K                  |
|         |                    | 126-150 | 5000K                  |
|         |                    | 151-175 | 5600K                  |
|         |                    | 176-200 | 6000K                  |
|         |                    | 201-225 | 6500K                  |
| 226-255 | No Function        |         |                        |

|         |                   |         |  |
|---------|-------------------|---------|--|
| 10      | Auto programs     | 000-010 | No Function                            |
|         |                   | 011-060 | Auto Program 1                         |
|         |                   | 061-110 | Auto Program 2                         |
|         |                   | 111-160 | Auto Program 3                         |
|         |                   | 161-210 | Auto Program 4                         |
|         |                   | 211-255 | Auto Program 5 (Auto Program1-4)       |
| 11      | Auto speed        | 000-255 | Auto speed slow to fast                |
| 12      | Dimmer Speed Mode | 000-051 | Preset dimmer speed from display menu  |
|         |                   | 052-101 | Dimmer speed mode off                  |
|         |                   | 102-152 | Dimmer speed mode1 (fast speed)        |
|         |                   | 153-203 | Dimmer speed mode2 (middle speed)      |
| 13      | LED Frequency     | 204-255 | Dimmer speed mode3 (slow speed)        |
|         |                   | 000-010 | Preset LED Frequency from display menu |
|         |                   | 011-050 | 600Hz                                  |
|         |                   | 051-090 | 1200Hz                                 |
|         |                   | 091-130 | 2000Hz                                 |
|         |                   | 131-170 | 4000Hz                                 |
|         |                   | 171-210 | 6000Hz                                 |
| 211-255 | 25KHz             |         |  |

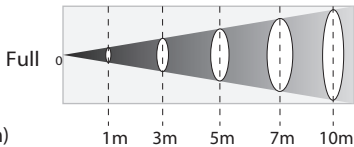
| 14CH    | Function      | Value   | Percent/Setting                        |
|---------|---------------|---------|--|
| 1       | Dimmer        | 000-255 | 0~100%                                 |
| 2       | Dimmer Fine   | 000-255 | 0~100%                                 |
| 3       | Red           | 000-255 | 0~100%                                 |
| 4       | Red Fine      | 000-255 | 0~100%                                 |
| 5       | Green         | 000-255 | 0~100%                                 |
| 6       | Green Fine    | 000-255 | 0~100%                                 |
| 7       | Blue          | 000-255 | 0~100%                                 |
| 8       | Blue Fine     | 000-255 | 0~100%                                 |
| 9       | Amber         | 000-255 | 0~100%                                 |
| 10      | Amber Fine    | 000-255 | 0~100%                                 |
| 11      | Lime          | 000-255 | 0~100%                                 |
| 12      | Lime Fine     | 000-255 | 0~100%                                 |
| 13      | Strobe        | 000-010 | No function                            |
|         |               | 011-255 | Strobe slow to fast                    |
| 14      | LED Frequency | 000-010 | Preset LED Frequency from display menu |
|         |               | 011-050 | 600Hz                                  |
|         |               | 051-090 | 1200Hz                                 |
|         |               | 091-130 | 2000Hz                                 |
|         |               | 131-170 | 4000Hz                                 |
|         |               | 171-210 | 6000Hz                                 |
| 211-255 | 25KHz         |         |  |

| 16CH | Function     | Value   | Percent/Setting        |
|------|--------------|---------|------------------------|
| 1    | Dimmer       | 000-255 | 0~100%                 |
| 2    | Dimmer Fine  | 000-255 | 0~100%                 |
| 3    | Red          | 000-255 | 0~100%                 |
| 4    | Red Fine     | 000-255 | 0~100%                 |
| 5    | Green        | 000-255 | 0~100%                 |
| 6    | Green Fine   | 000-255 | 0~100%                 |
| 7    | Blue         | 000-255 | 0~100%                 |
| 8    | Blue Fine    | 000-255 | 0~100%                 |
| 9    | Amber        | 000-255 | 0~100%                 |
| 10   | Amber Fine   | 000-255 | 0~100%                 |
| 11   | Lime         | 000-255 | 0~100%                 |
| 12   | Lime Fine    | 000-255 | 0~100%                 |
| 13   | Strobe       | 000-010 | No function            |
|      |              | 011-255 | Strobe slow to fast    |
| 14   | Colour Macro | 000-005 | No Function            |
|      |              | 006-013 | R4590-Cal90 Yellow     |
|      |              | 014-021 | R11-Light Straw        |
|      |              | 022-028 | R312-Canary            |
|      |              | 029-035 | R03-Dark Bastard Amber |
|      |              | 036-043 | R18-Flame              |
|      |              | 044-051 | R20-Medium Amber       |
|      |              | 052-059 | R21-Golden Amber       |
|      |              | 060-067 | R26-Light Red          |
|      |              | 068-075 | R27-Medium Red         |

|         |                    |         |  |
|---------|--------------------|---------|--|
| 14      | Colour Macro       | 076-083 | R33-NoColour Pink                      |
|         |                    | 084-091 | R337-True Pink                         |
|         |                    | 092-099 | R38-Light Rose                         |
|         |                    | 100-107 | R41-Salmon                             |
|         |                    | 108-115 | R42-Deep Salmon                        |
|         |                    | 116-121 | R44-Middle Rose                        |
|         |                    | 122-130 | R349-Fisher Fuchsia                    |
|         |                    | 131-138 | R54-Special Lavender                   |
|         |                    | 139-146 | R64-Light Steel Blue                   |
|         |                    | 147-154 | R364-Blue Bell                         |
|         |                    | 155-162 | R65-Daylight Blue                      |
|         |                    | 163-170 | R80-Primary Blue                       |
|         |                    | 171-178 | R81-Urban Blue                         |
|         |                    | 179-186 | R82-Surprise Blue                      |
|         |                    | 187-194 | R382-Congo Blue                        |
|         |                    | 195-202 | R83-Medium Blue                        |
|         |                    | 203-210 | R383-Sapphire Blue                     |
|         |                    | 211-218 | R90-Dk Yellow Green                    |
|         |                    | 219-226 | R91-Primary Green                      |
|         |                    | 15      | Colour Temperature                     |
| 235-242 | R93-Blue Green     |         |  |
| 243-250 | R393-Emerald Green |         |  |
| 251-255 | No Function        |         |  |
| 000-005 | No Function        |         |  |
| 006-025 | 2800K              |         |  |
| 026-050 | 3200K              |         |  |
| 051-075 | 3500K              |         |  |
| 076-100 | 4000K              |         |  |
| 101-125 | 4500K              |         |  |
| 16      | LED Frequency      | 126-150 | 5000K                                  |
|         |                    | 151-175 | 5600K                                  |
|         |                    | 176-200 | 6000K                                  |
|         |                    | 201-225 | 6500K                                  |
|         |                    | 226-255 | No Function                            |
|         |                    | 000-010 | Preset LED Frequency from display menu |
|         |                    | 011-050 | 600Hz                                  |
|         |                    | 051-090 | 1200Hz                                 |
|         |                    | 091-130 | 2000Hz                                 |
|         |                    | 131-170 | 4000Hz                                 |
| 171-210 | 6000Hz             |         |  |
| 211-255 | 25KHz              |         |  |

## PHOTOMETRICS

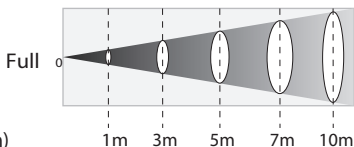
**Beam Angle: 19°**



|                 |       |      |      |      |       |
|-----------------|-------|------|------|------|-------|
| Distance (m)    | 1m    | 3m   | 5m   | 7m   | 10m   |
| Luminance (lux) | 53846 | 5983 | 2154 | 1099 | 538.5 |

| colors \ meters | 1     | 3     | 5     | 7     | 10    |
|-----------------|-------|-------|-------|-------|-------|
| R               | 9699  | 1078  | 388   | 197.9 | 96.99 |
| G               | 14607 | 1623  | 584.3 | 298.1 | 146.1 |
| B               | 2462  | 273.6 | 98.49 | 50.25 | 24.62 |
| A               | 10822 | 1202  | 432.9 | 220.9 | 108.2 |
| L               | 20425 | 2269  | 817   | 416.8 | 204.3 |
| RGBAL           | 53846 | 5983  | 2154  | 1099  | 538.5 |

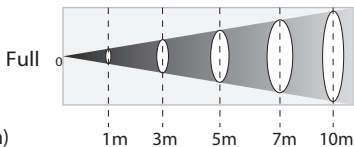
**Beam Angle: 26°**



|                 |       |      |      |     |     |
|-----------------|-------|------|------|-----|-----|
| Distance (m)    | 1m    | 3m   | 5m   | 7m  | 10m |
| Luminance (lux) | 36358 | 4040 | 1454 | 742 | 363 |

| colors \ meters | 1     | 3     | 5     | 7     | 10    |
|-----------------|-------|-------|-------|-------|-------|
| R               | 5933  | 659.2 | 237.3 | 121.1 | 59.33 |
| G               | 9506  | 1056  | 380.2 | 194   | 95.06 |
| B               | 1677  | 186.4 | 67.09 | 34.23 | 16.77 |
| A               | 7425  | 825   | 297   | 151.5 | 74.25 |
| L               | 15453 | 1717  | 618.1 | 315.4 | 154.5 |
| RGBAL           | 36358 | 4040  | 1454  | 742   | 363   |

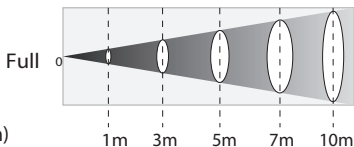
**Beam Angle: 36°**



|                 |       |      |       |       |       |
|-----------------|-------|------|-------|-------|-------|
| Distance (m)    | 1m    | 3m   | 5m    | 7m    | 10m   |
| Luminance (lux) | 20968 | 2330 | 838.7 | 427.9 | 209.7 |

| colors \ meters | 1     | 3     | 5     | 7     | 10    |
|-----------------|-------|-------|-------|-------|-------|
| R               | 3486  | 387.3 | 139.4 | 71.14 | 34.86 |
| G               | 5443  | 604.7 | 217.7 | 111.1 | 43    |
| B               | 951.3 | 105.7 | 38.05 | 19.41 | 9.513 |
| A               | 4320  | 480   | 172.8 | 88.16 | 43.2  |
| L               | 8942  | 993.5 | 357.7 | 182.5 | 89.42 |
| RGBAL           | 20968 | 2330  | 838.7 | 427.9 | 209.7 |

**Beam Angle: 50°**



|                 |      |      |       |       |       |
|-----------------|------|------|-------|-------|-------|
| Distance (m)    | 1m   | 3m   | 5m    | 7m    | 10m   |
| Luminance (lux) | 9229 | 1025 | 369.1 | 188.3 | 92.29 |

| colors \ meters | 1     | 3     | 5     | 7     | 10    |
|-----------------|-------|-------|-------|-------|-------|
| R               | 1580  | 175.6 | 63.22 | 32.25 | 15.8  |
| G               | 2379  | 264.3 | 95.16 | 48.55 | 23.79 |
| B               | 412.1 | 45.79 | 16.48 | 8.41  | 4.121 |
| A               | 1910  | 212.3 | 76.4  | 38.99 | 19.1  |
| L               | 3820  | 424.5 | 152.8 | 77.97 | 38.2  |
| RGBAL           | 9229  | 1025  | 369.1 | 188.3 | 92.29 |

**EK**